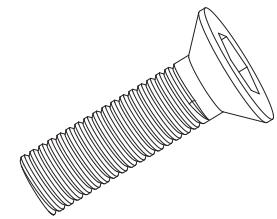
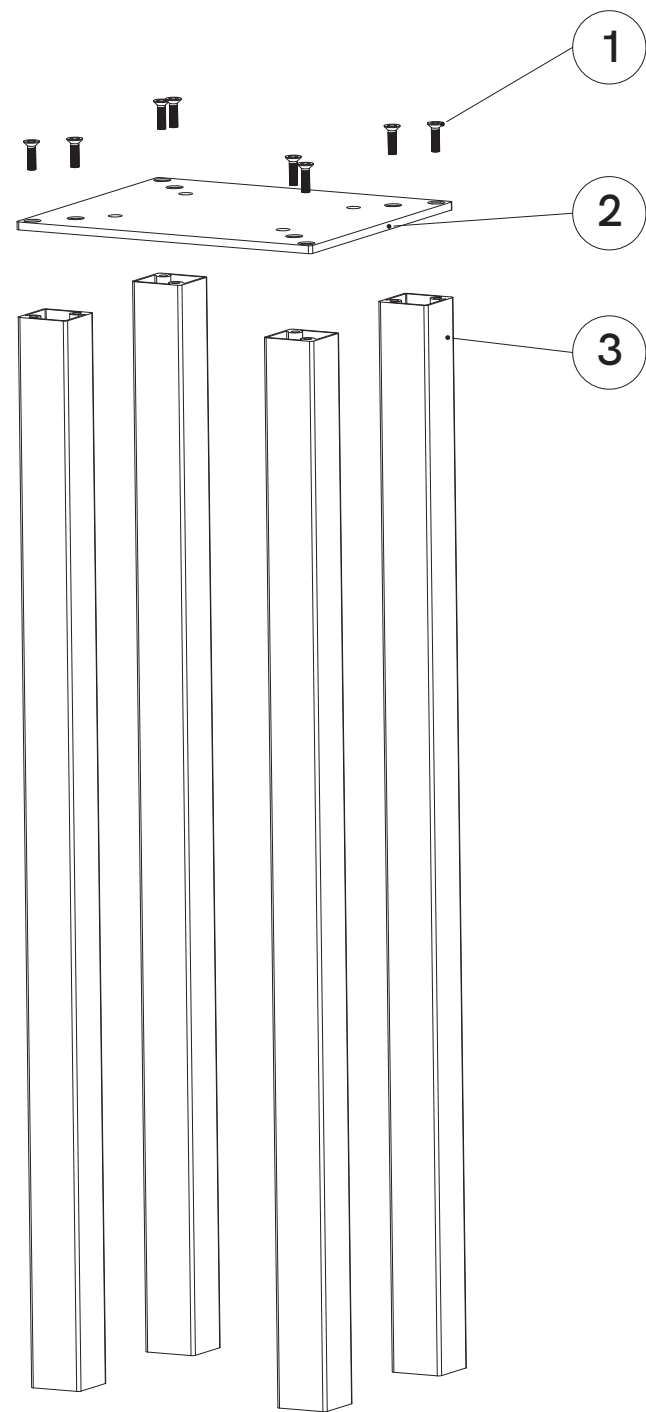
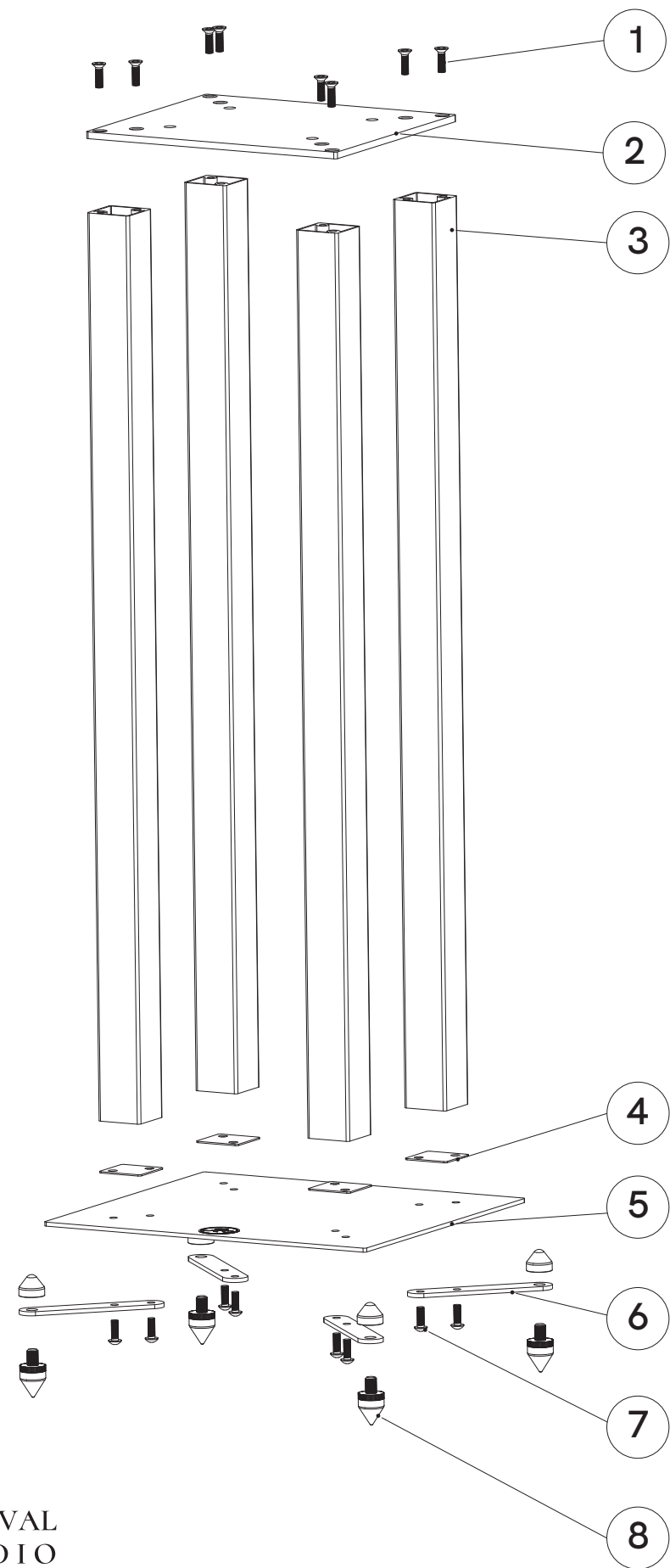
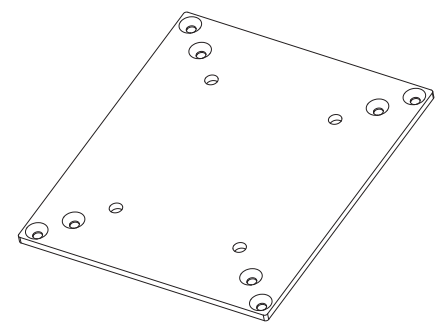


# STAND 3 & ATALANTE 5 STAND

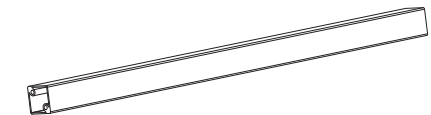
## Assembly Instruction



\* 8



\* 1



\* 4

